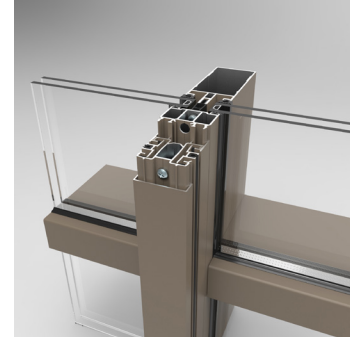


Reynaers Aluminium and Renson join forces for the ultimate combination of curtain walls and fabric sunprotection. Both Renson's Fixscreen Minimal Curtain Wall 50 and the ConceptWall 50 from Reynaers Aluminium have been updated to perfectly align with each other. The result is a unique, tested and validated all-in-one solution.



TECHNICAL DATA

Design		
Box size [H x D]	Medium 160 x 110 mm	Large 180 x 130 mm
Square		✓
Bottom bar retractable		✓
Wind resistance		
Wind class EN13561:2004		3
Guaranteed wind resistance	Up to 130 km/h in closed position	
Control		
Detecto Renson motor Safety First		✓
Somfy IO motor		✓

DIMENSIONS

The dimensions listed below are the minimum and maximum possible dimensions for the Fixscreen Minimal Curtain Wall 50. The product combination with the ConceptWall50 must be configured in accordance with the specifications from Reynaers Aluminium [see CW50 product catalog].

Dimensions single screen		Medium	Large
Glass fibre fabric Sergé / Natté	Min. width Somfy IO	900 mm	900 mm
	Min. width Detecto	670 mm	670 mm
	Max. width	3600 mm	3600 mm
	Max. height	4000 mm	6000 mm
	Max. surface	14,4 m ²	21,6 m ²
Black out Glassfiber Satiné 21154 Black out Polyester Soltis Opaque B92	Min. width Somfy IO	900 mm	n.a.
	Min. width Detecto	670 mm	n.a.
	Max. width	3600 mm	n.a.
	Max. height	4000 mm	n.a.
	Max. surface	14,4 m ²	n.a.

Note:

- Screens are always motorised.
- To enable the interlinking of an infinite number of screens, the design takes thermal expansion and shrinkage into account.
- The start screen is always mounted on the left, and further screens are installed from start to stop screen.
- A fill profile is mounted on the outside of the start and stop screens as standard, guaranteeing an aesthetic finish on both ends.
- Extended side guiding channels can be used in case the curtain wall also has a door opening. This additional length can optionally be fitted with a fill profile.
- The usage of sensors is strongly recommended. For more information on the conditions of use, please consult the guarantee certificate.

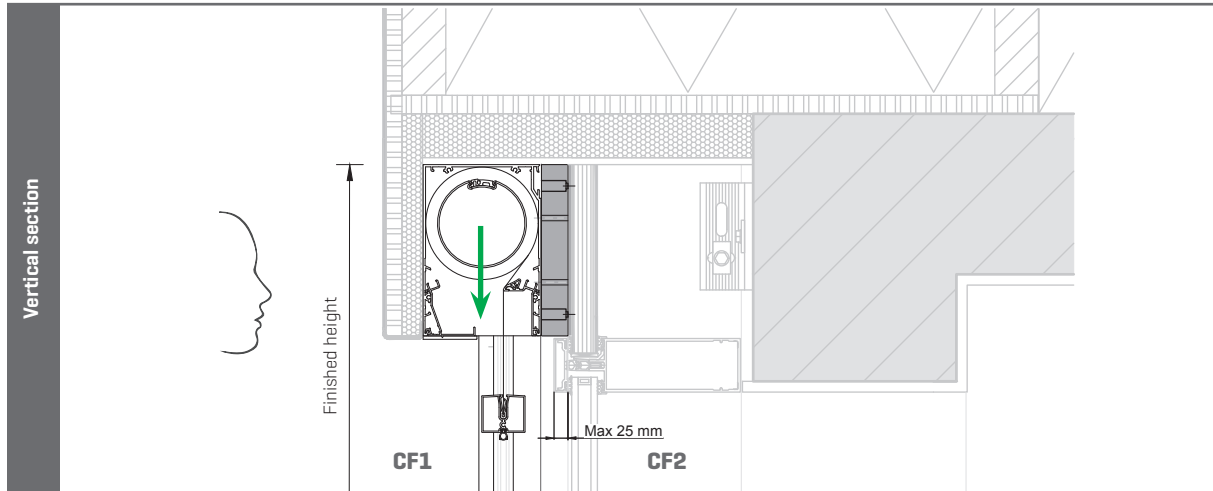
DURABILITY

Technology	
Fixscreen-technology	✓
Smooth-technology	✓
Renewed Connect&Go-technology	✓
Click&Safe-technology	✓
Certificates	
DOP declaration	DOP-2015SC00006
Warranty	
10-year warranty on the powder coating of the aluminium elements	✓
7-year warranty on Fixscreen technology	✓
7-year warranty on Detecto Rensonmotor Safety First	✓
5-year warranty on the electronic controls (motor & automation)	✓
5-year product warranty	✓
5-year warranty on the fabric collection	✓
5-year warranty on the glass level	✓



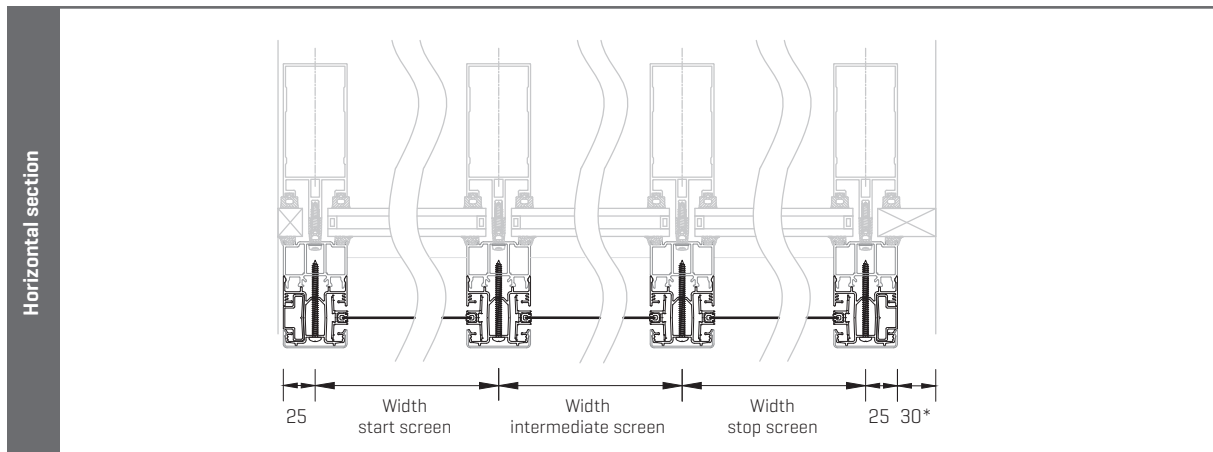
The product combination was subjected to an extensive windpressure test, performed at the test facilities of Reynaers Aluminium.

TECHNICAL DRAWINGS



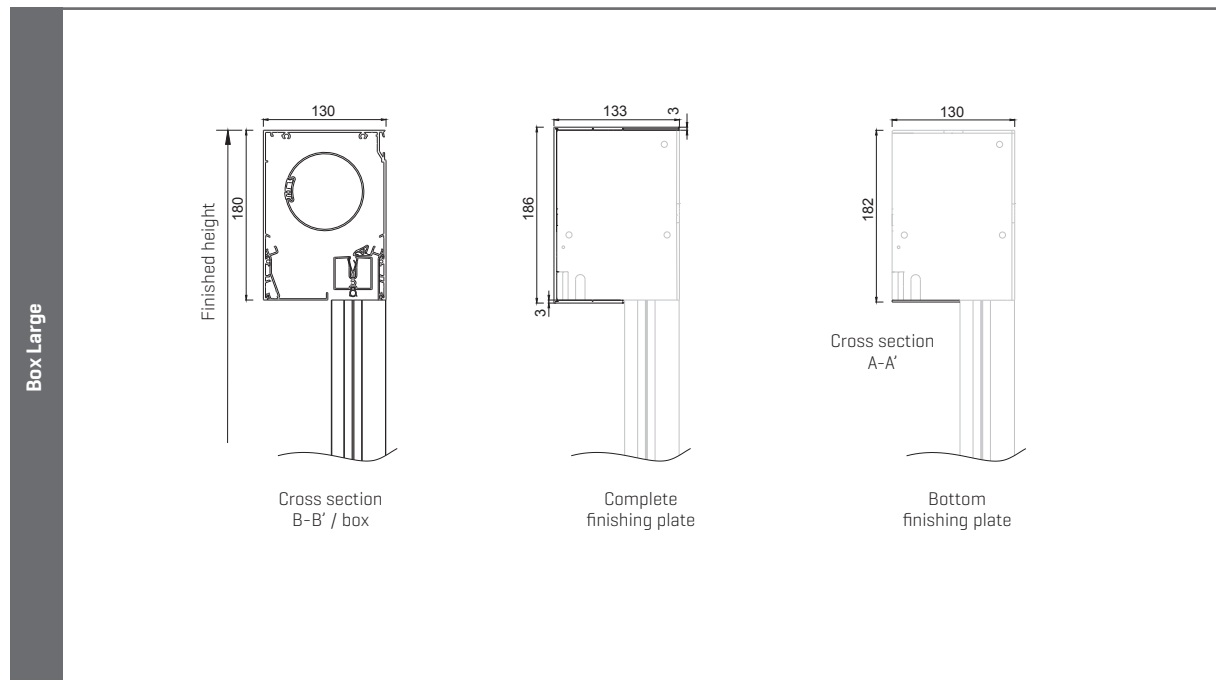
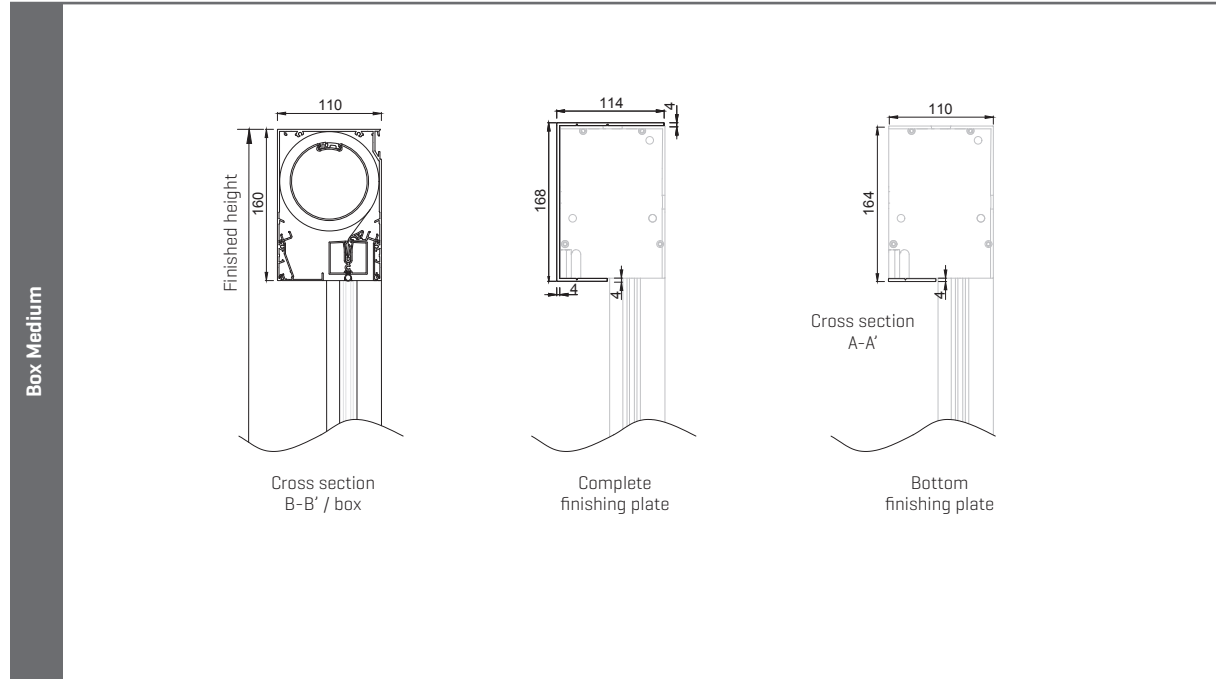
Viewing direction determines left or right side of the box

← Direction removable fabric roller

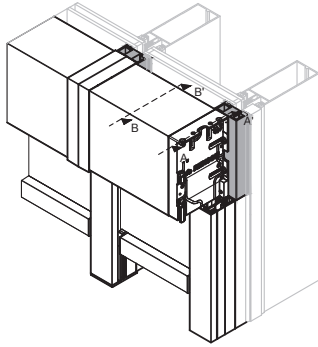


* If the curtain wall connects to another structure on the right it is necessary to provide 30mm clearance for a smooth installation.

TECHNICAL DRAWINGS

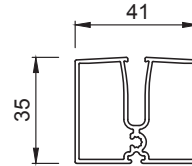


3D view

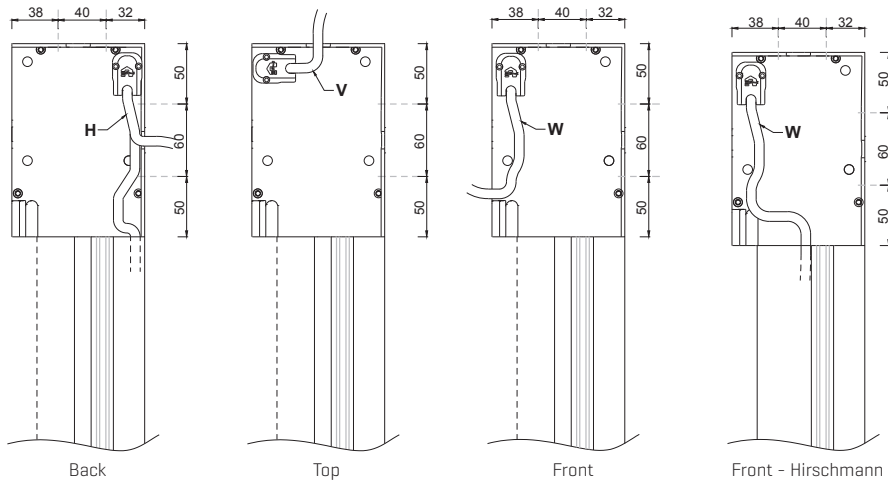


Use of the head box support CW50 M Reynaers Aluminium is necessary to allow replacement of the underlying glass without disassembly of the head box.

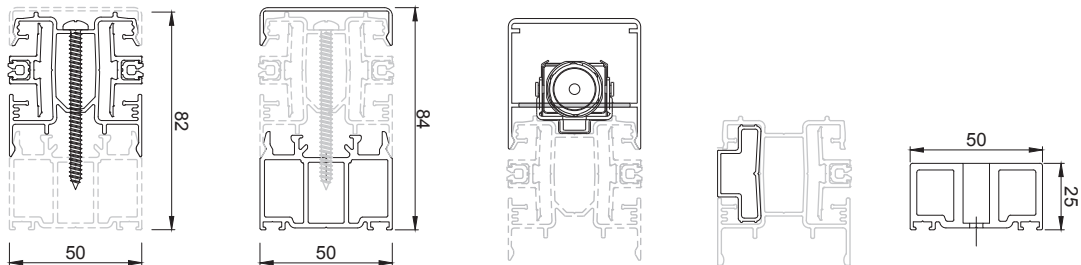
Bottom bar



Cable passage & box fixation



Side channels



Coupling side channel C.50
Reynaers Aluminium

Reynaers Aluminium
Face cap 034.0536.XX
Base couple guide 034.0565.XX

Reynaers Aluminium
Face cap 034.0545.XX
for Hirschmann plug

Fill profile

Head box support
CW50 M
Reynaers Aluminium